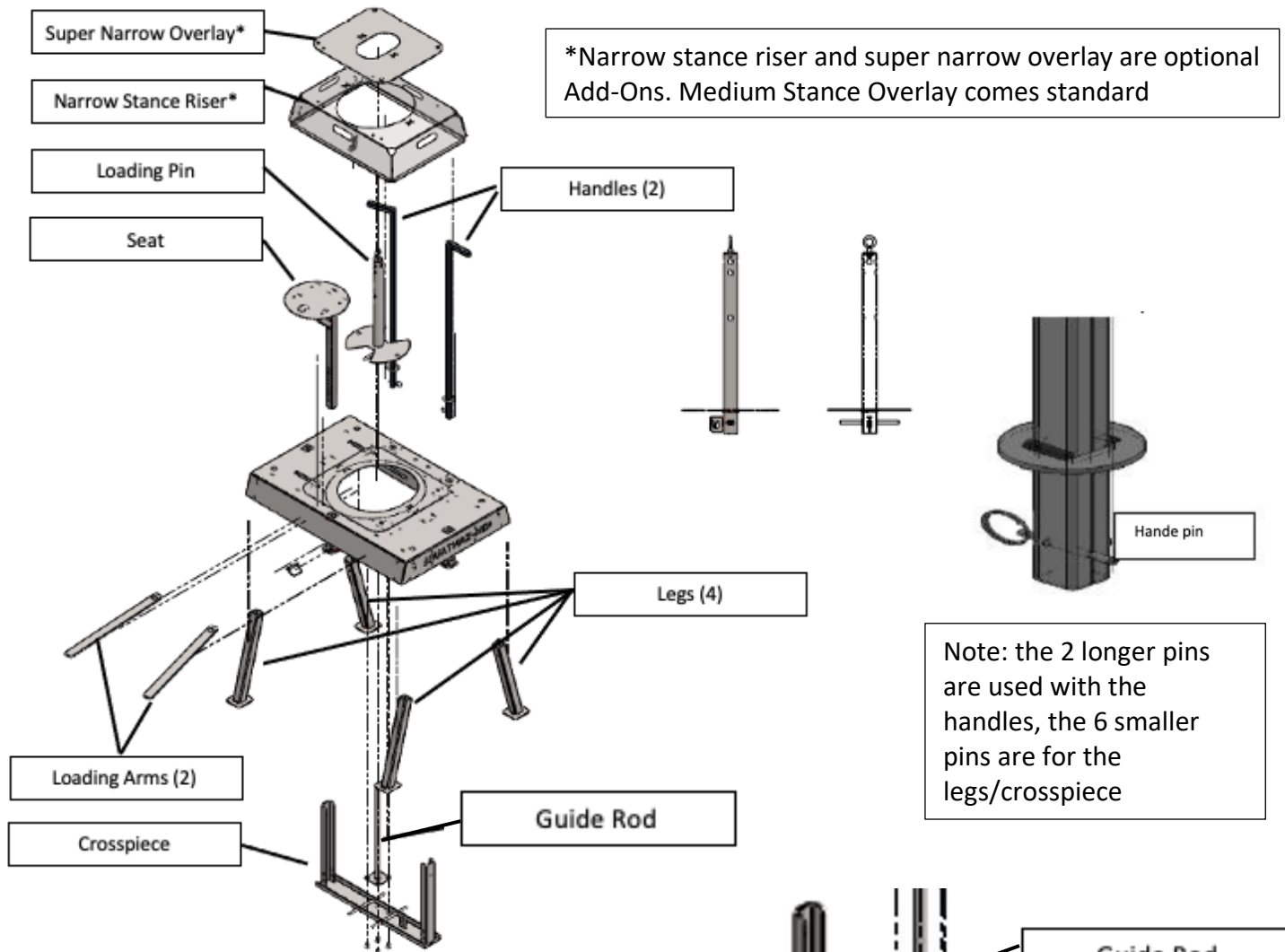
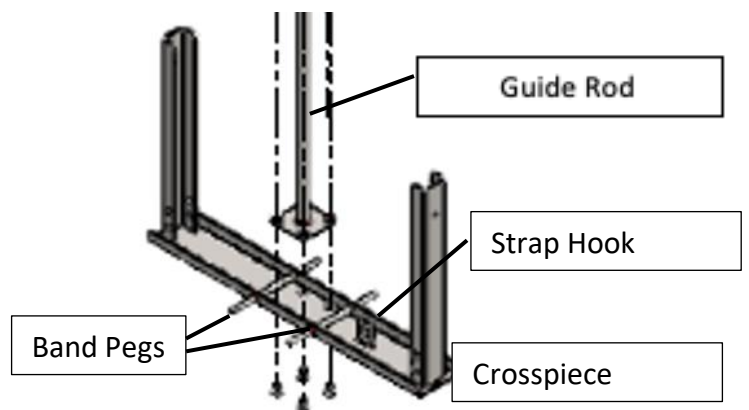




## SQUATMAX-MD ASSEMBLY OVERVIEW



The guide rod is the only part that requires a tool (flat head screwdriver). 4 bolts are used to mount in the crosspiece. The "BLACK" limiting strap attaches onto the guide rod and loading pin hooks to keep the loading pin from coming off the guide rod. The rubber washer slides over the guide rod and sits at the bottom.



Visit [www.squatmax-md.com](http://www.squatmax-md.com) to view detailed assembly and user videos.

**Disclaimer:** Resistance training and activities at height are potentially dangerous and may lead to severe injury or even death. You assume all responsibilities for all damage, injury or death which may occur during or following incorrect use of this equipment in any matter whatsoever, OverAchieve Strength Equipment bears no liability beyond the replacement value of the equipment in question.